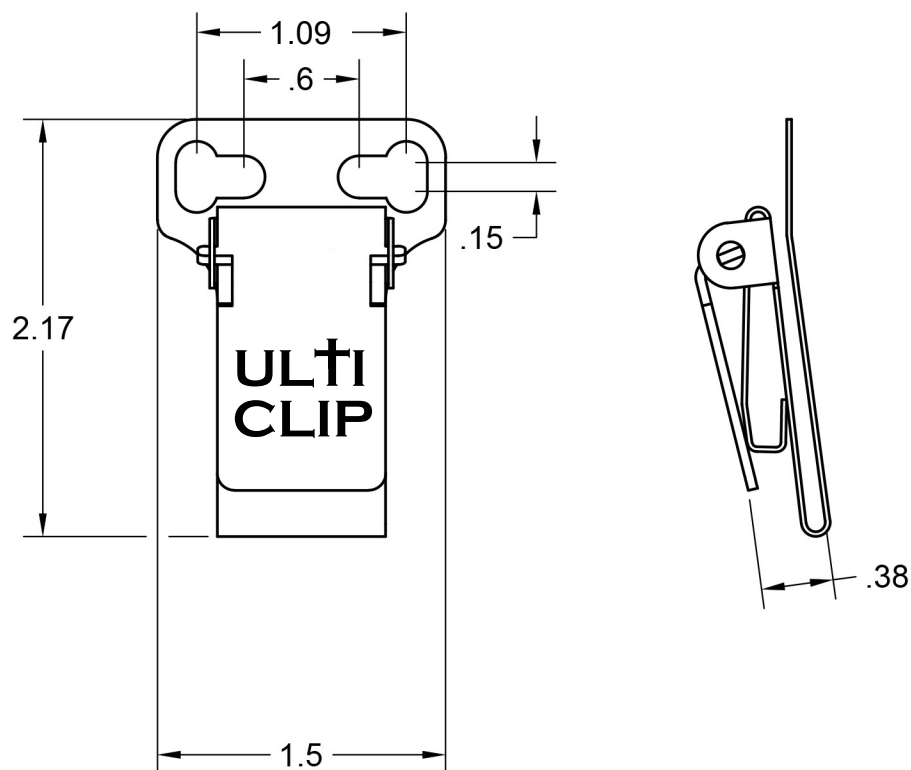


UltiTuck Mounting Template

This template may be printed and used to check for correct length, width and hole alignment. If your web browser does not print the template to scale you will need to download the file and open it with Acrobat Reader then choose "actual size" as your print option.



If the template is printed to scale the distance between the two lines should equal 1.5".

All measurements are in inches.